

Installation manual

Washer extractor

WH6–14LAG

Clarus Vibe

Type W3....



Electrolux
PROFESSIONAL

Contents

Contents

1	Safety Precautions	5
1.1	General safety information.....	6
1.2	Commercial use only.....	6
1.3	Copyright	6
1.4	Symbols.....	6
2	Warranty terms and exclusions.....	7
3	Technical data.....	8
3.1	Technical data	9
3.2	Connections	9
4	Setup	10
4.1	Unpacking.....	10
4.2	Recycling instruction for packaging	12
4.3	Siting	13
4.4	Mechanical installation	14
5	Water connection	15
6	Water hardness and dosage.....	17
7	Connection of external dosing systems	18
7.1	Jetsave and Dosave.....	18
7.1.1	Connection of the tube.....	18
8	Drain connection	19
9	Electrical connection.....	20
9.1	Electrical installation	20
9.2	Electrical connections	20
9.3	Machine connection with ferrite.....	21
9.4	Machine connection	22
9.5	Connector with termination resistor	23
9.6	This model can be converted from 380-415V 3N AC to 220-240V 1N AC with reduced power	24
10	Steam connection	25
11	At first power up	26
12	Function check.....	27
13	Disposal information.....	28
13.1	Appliance recyclability and disposal	28
13.1.1	Recyclability.....	28
13.1.2	Procedure regarding appliance disposal and component / material recovery.....	28
13.2	Disposal of packing.....	28

The manufacturer reserves the right to make changes to design and component specifications.

1 Safety Precautions

- Servicing shall be carried out only by authorized personnel.
- Only authorized spare parts, accessories and consumables shall be used.
- Only use detergent intended for water-wash of textiles. Never use dry cleaning agents.
- The machine shall be connected with new water hoses. Re-used water hoses must not be used.
- The machine's door lock must under no circumstances be bypassed.
- If the machine develops a fault, this must be reported to the person in charge as soon as possible. This is important both for your safety and that of others.
- DO NOT MODIFY THIS APPLIANCE.
- When performing service or replacing parts, the power must be disconnected.
- When the power is disconnected, the operator must see that the machine is disconnected (that the plug is removed and remains removed) from any point to which he has access. If this is not possible, due to the construction or installation of the machine, a disconnection with a locking system in the isolated position shall be provided.
- In accordance with the wiring rules: mount a multi-pole switch prior to the machine to facilitate installation and service operations.
- If different rated voltages or different rated frequencies (separated by a /) are stated at the machine data plate, instructions for adjusting the appliance for operation at the required rated voltage or rated frequency are stated in the installation manual.
- Stationary appliances not fitted with means for disconnection from the supply mains having a contact separation in all poles that provide full disconnection under overvoltage category III, means for disconnection must be incorporated in the fixed wiring in accordance with the wiring rules.
- The openings in the base, shall not be obstructed by a carpet.
- Maximum mass of dry cloth: WH6–14LAG: 14.5 kg.
- A-weighted emission sound pressure level at working stations:
 - Wash: WH6–14LAG: <70 dB(A).
 - Extraction: WH6–14LAG: <70 dB(A).
- Maximum inlet water pressure: 1000 kPa
- Minimum inlet water pressure: 50 kPa
- Additional requirements for the following countries; AT, BE, BG, HR, CY, CZ, DK, EE, FI, FR, DE, GR, HU, IS, IE, IT, LV, LT, LU, MT, NL, NO, PL, PT, RO, SK, SI, ES, SE, CH, TR, UK:
 - The appliance can be used in an area open to the public.
 - This appliance can be used by children aged from 8 years and above and persons with reduced physical, sensory or mental capabilities or lack of experience and knowledge if they have been given supervision or instruction concerning use of the appliance in a safe way and understand the hazards involved. Children shall not play with the appliance. Cleaning and user maintenance shall not be made by children without supervision.
 - Children of less than 3 years should be kept away unless continuously supervised.
- Additional requirements for other countries:
 - This appliance is not intended for use by persons (including children) with reduced physical, sensory or mental capabilities, or lack of experience and knowledge,

unless they have been given supervision or instruction concerning use of the appliance by a person responsible for their safety. Children should be supervised to ensure that they do not play with the appliance.

- This appliance is not intended for use in household applications but is intended for use in similar applications such as: staff kitchen areas in shops, offices and other working environments, farm houses, by clients in hotels, motels and other residential type environments, bed and breakfast type environments, areas for communal use in blocks of flats or in launderettes.

1.1 General safety information

The machine is only intended for water-wash use.

Do not hose down the machine with water.

In order to prevent damage to the electronics (and other parts) that may occur as the result of condensation, the machine should be placed in room temperature for 24 hours before being used for the first time.




1.2 Commercial use only

The machine/machines covered by this manual is/are made for commercial and industrial use only.

1.3 Copyright

This manual is intended solely for consultation by the operator and can only be given to third parties with the permission of Electrolux Professional AB company.

1.4 Symbols

	Caution
	Caution, high voltage
	Read the instructions before using the machine

2 Warranty terms and exclusions

If the purchase of this product includes warranty coverage, warranty is provided in line with local regulations and subject to the product being installed and used for the purposes as designed, and as described within the appropriate equipment documentation.

Warranty will be applicable where the customer has used only genuine spare parts and has performed maintenance in accordance with Electrolux Professional AB user and maintenance documentation made available in paper or electronic format.

Electrolux Professional AB strongly recommends using Electrolux Professional AB approved cleaning, rinse and descaling agents to obtain optimal results and maintain product efficiency over time.

The Electrolux Professional AB warranty does not cover:

- service trips cost to deliver and pick up the product;
- installation;
- training on how to use/operate;
- replacement (and/or supply) of wear and tear parts unless resulting from defects in materials or workmanship reported within one (1) week from the failure;
- correction of external wiring;
- correction of unauthorized repairs as well as any damages, failures and inefficiencies caused by and/or resulting from;
 - insufficient and/or abnormal capacity of the electrical systems (current/voltage/frequency, including spikes and/or outages);
 - inadequate or interrupted water supply, steam, air, gas (including impurities and/or other that does not comply with the technical requirements for each appliance);
 - plumbing parts, components or consumable cleaning products that are not approved by the manufacturer;
 - customer's negligence, misuse, abuse and/or non-compliance with the use and care instructions detailed within the appropriate equipment documentation;
 - improper or poor: installation, repair, maintenance (including tampering, modifications and repairs carried out by third parties not authorized third parties) and modification of safety systems;
 - Use of non-original components (e.g.: consumables, wear and tear, or spare parts);
 - environment conditions provoking thermal (e.g. overheating/freezing) or chemical (e.g. corrosion/oxidation) stress;
 - foreign objects placed in- or connected to- the product;
 - accidents or force majeure;
 - transportation and handling, including scratches, dents, chips, and/or other damage to the finish of the product, unless such damage results from defects in materials or workmanship and is reported within one (1) week of delivery unless otherwise agreed;
- product with original serial numbers that have been removed, altered or cannot be readily determined;
- replacement of light bulbs, filters or any consumable parts;
- any accessories and software not approved or specified by Electrolux Professional AB.

Warranty does not include scheduled maintenance activities (including the parts required for it) or the supply of cleaning agents unless specifically covered within any local agreement, subject to local terms and conditions.

Check on Electrolux Professional AB website the list of authorized customer care.

3 Technical data

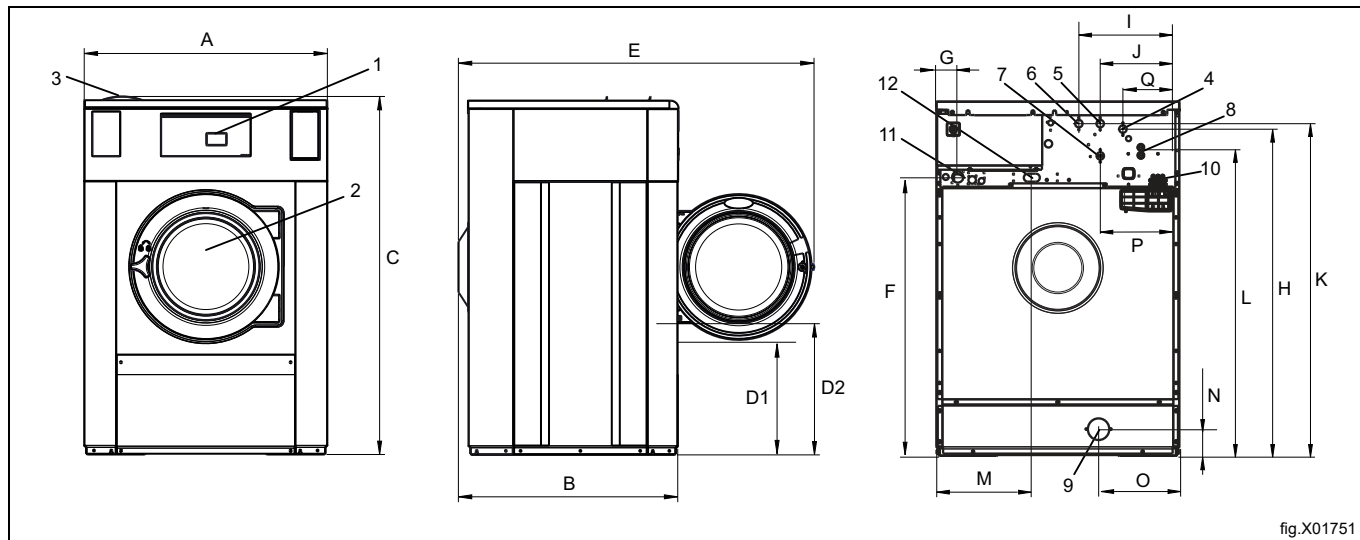


fig.X01751

1	Operating panel
2	Door opening: \varnothing 395 mm
3	Detergent container
4	Cold/Hot water (Detergent container)
5	Cold water
6	Hot water
7	Cold/Hot water or Re-used water with network pressure (option)
8	Re-used water from tank/pump or Liquid detergent supply
9	Drain
10	Liquid detergent supply
11	Electrical connection
12	Steam connection

mm	A	B	C	D1	D2	E	F	G
	910	820	1345	440	515	1310	1050	80

mm	H	I	J	K	L	M	N	O
	1245	375	295	1225	1125	360	105	305

mm	P	Q
	295	210

3.1 Technical data

Weight, net	kg	263
Drum volume	litres	130
Drum diameter	mm	650
Drum speed during wash	rpm	44
Drum speed during extraction	rpm	1113
G-factor, max.		450
Heating: Electricity	kW	13
Heating: Steam		x
Heating: Hot water		x
Frequency of the dynamic force	Hz	18.6
Floor load at max extraction	kN	3.1± 0.5
Sound power/pressure level at extraction*	dB(A)	78/62
Sound power/pressure level at wash*	dB(A)	63/48
Heat emission of installed power, max	%	5

* Sound power levels measured according to ISO 60704.

3.2 Connections

Water valves	DN BSP	20 3/4"
Recommended water pressure	kPa	200–600
Continuous operating pressure	kPa	50–800
Capacity at 300 kPa	l/min	20
Drain valve ø outer	mm	75
Draining capacity	l/min	170
Steam valve connection	DN BSP	15 1/2"
Recommended steam pressure	kPa	300–600
Functioning limits for steam valve	kPa	50–800

4 Setup

4.1 Unpacking

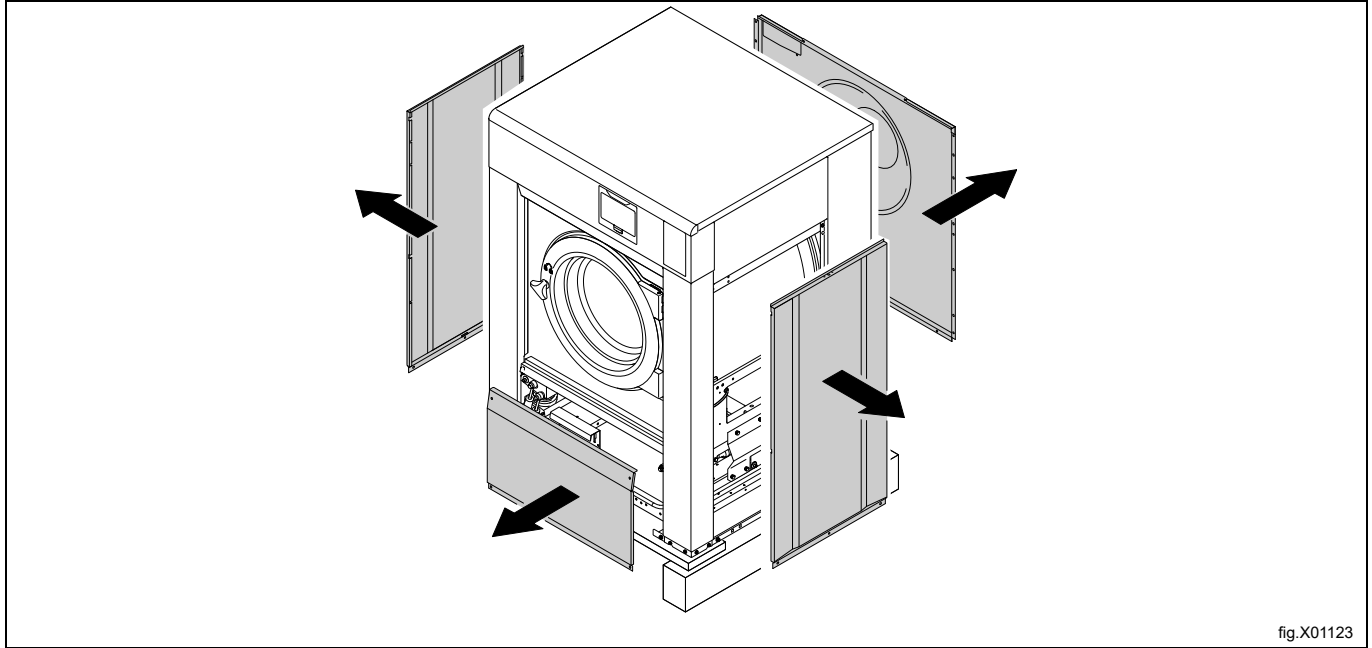
Removal of the bolts between the machine and pallet

Note!

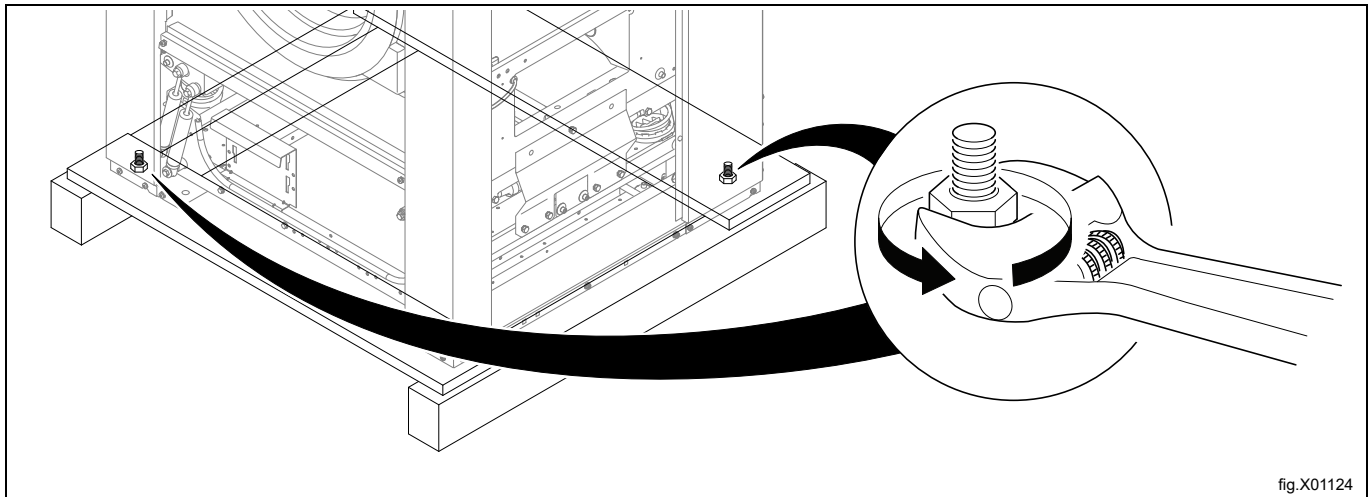
Two persons are recommended for the unpacking.

Remove the side panels.

Remove the front and rear panel.



Remove the bolts between the machine and pallet.



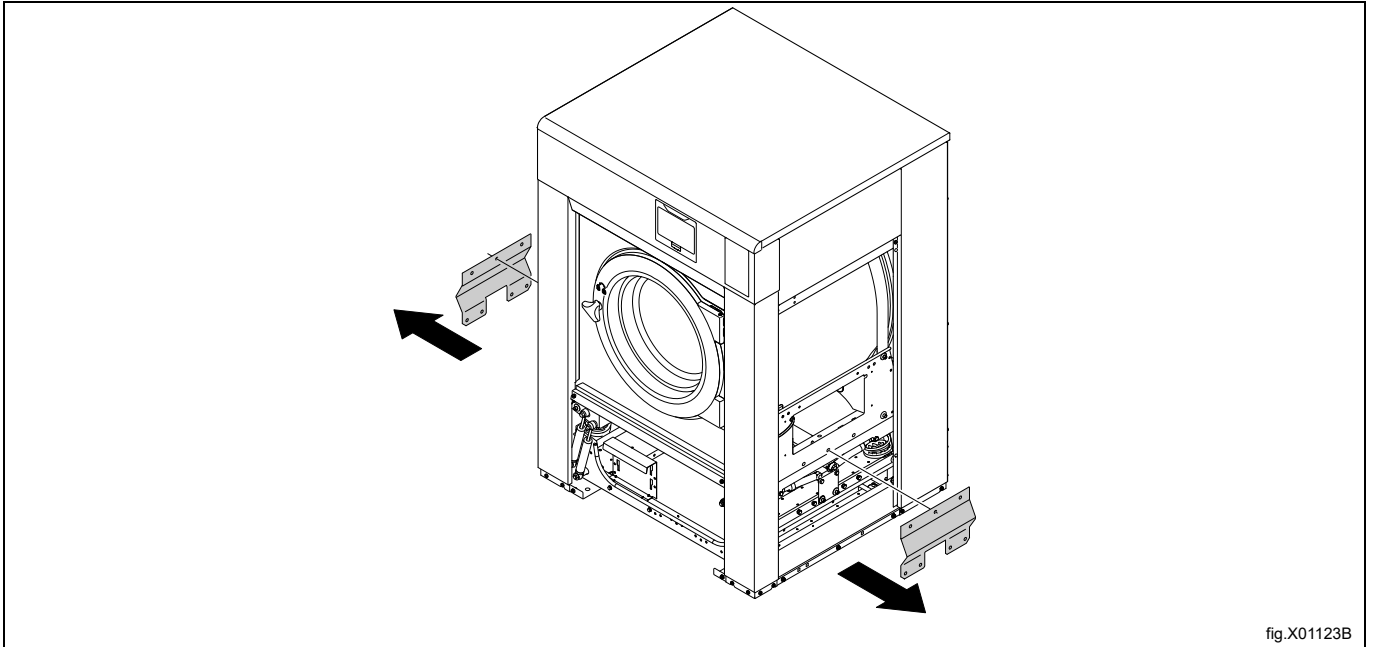
Remove the machine from the pallet.

Removal of the transport securities

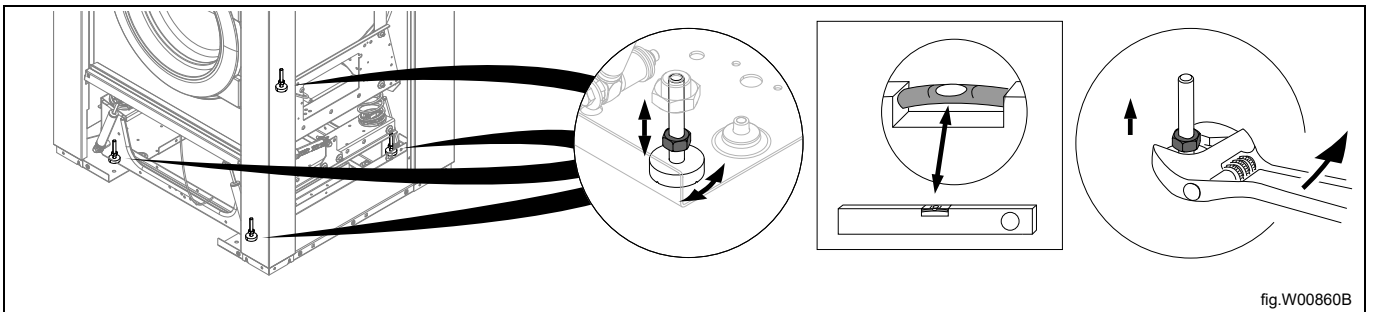
When the machine is placed in final or close to final position, remove the four transport supports. Save the transport supports if the machine needs to be moved in the future.

Note!

Once the transport supports have been removed, handle the machine carefully to avoid damage to the suspension components.



When the machine is placed in final position, mount the supporting feet. (If the machine is not to be mounted on a base).



4.2 Recycling instruction for packaging

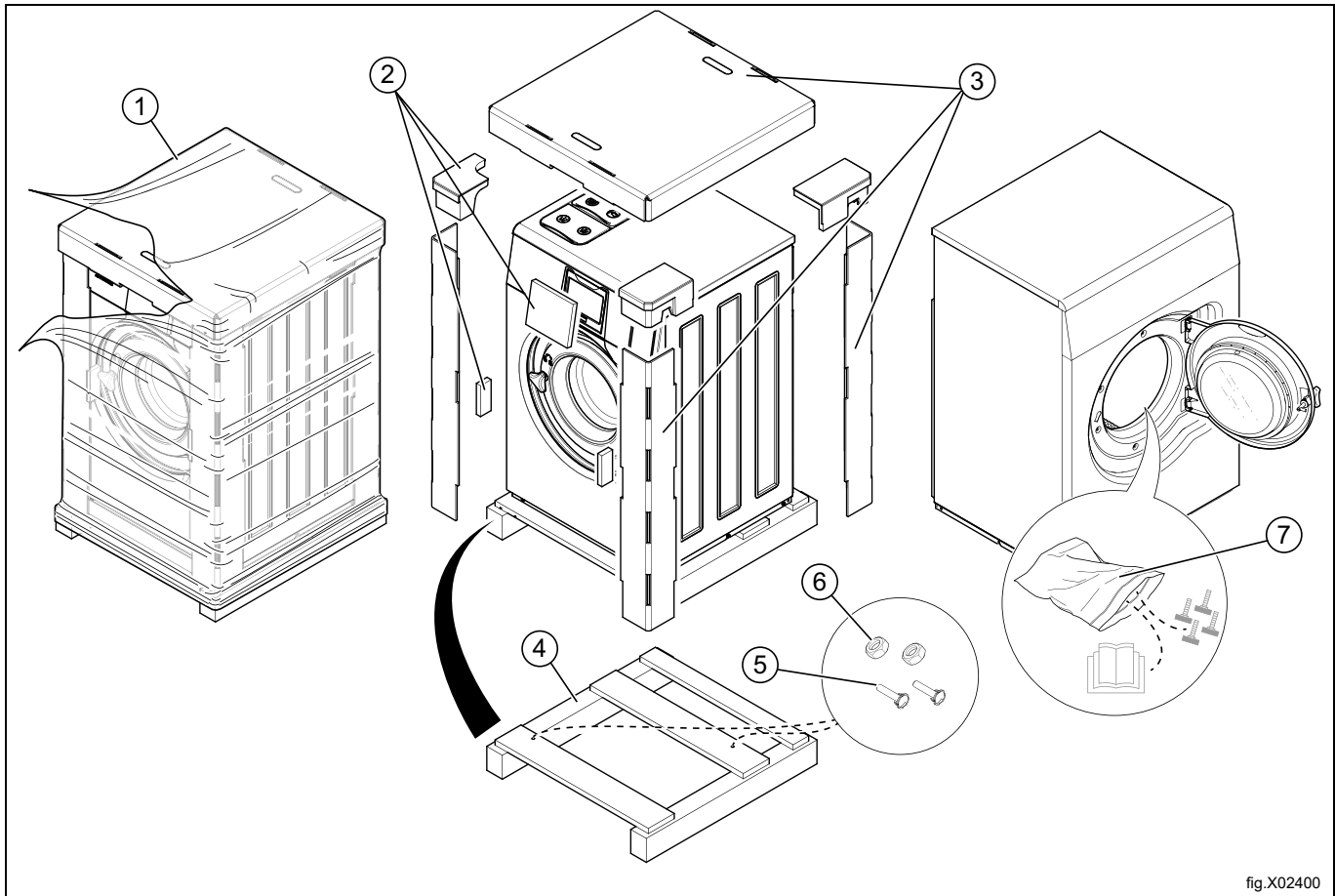


fig.X02400

Fig.	Description	Code	Type
1	Wrapping film	LDPE 4	Plastics
2	Corner protection	PS 6	Plastics
3	Cardboard packaging	PAP 20	Paper
4	Pallet	FOR 50	Wood
5	Screw	FE 40	Steel
6	Nut	FE 40	Steel
7	Plastic bag	PET 1	Plastics

4.3 Siting

Install the machine close to a floor drain or open drain.

The machine should be positioned so that there is plenty of room for working, both for the user and service personnel.

The figure shows minimum distance to a wall and/or other machines. Failure to respect the prescribed distances will prevent easy access for maintenance and service operations.

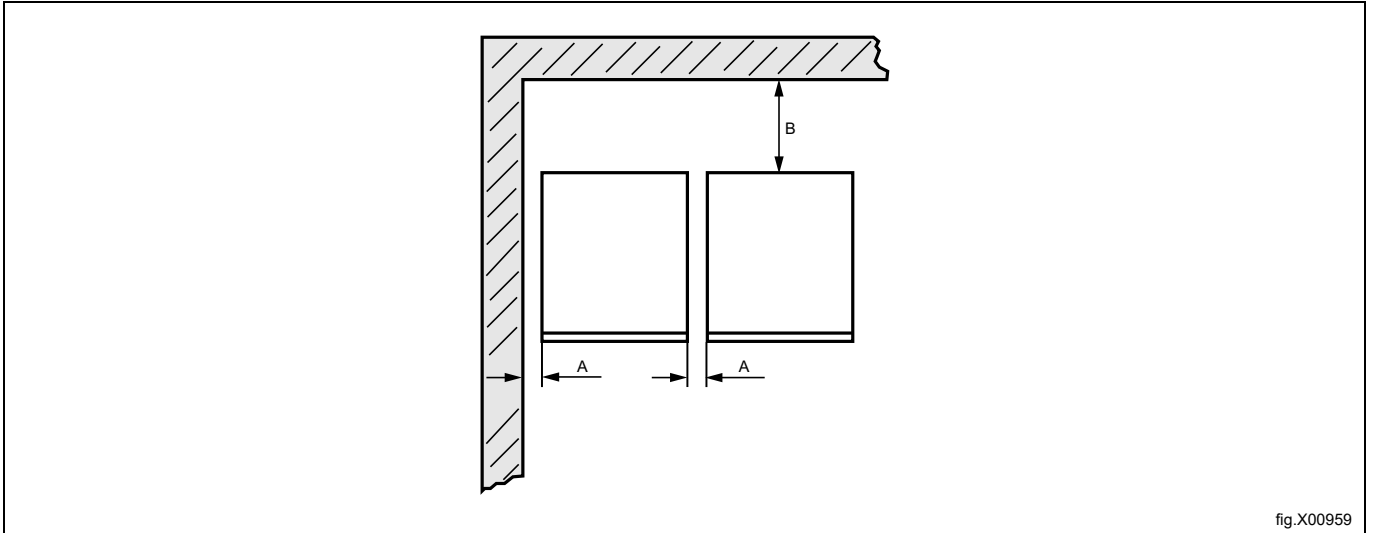


fig.X00959

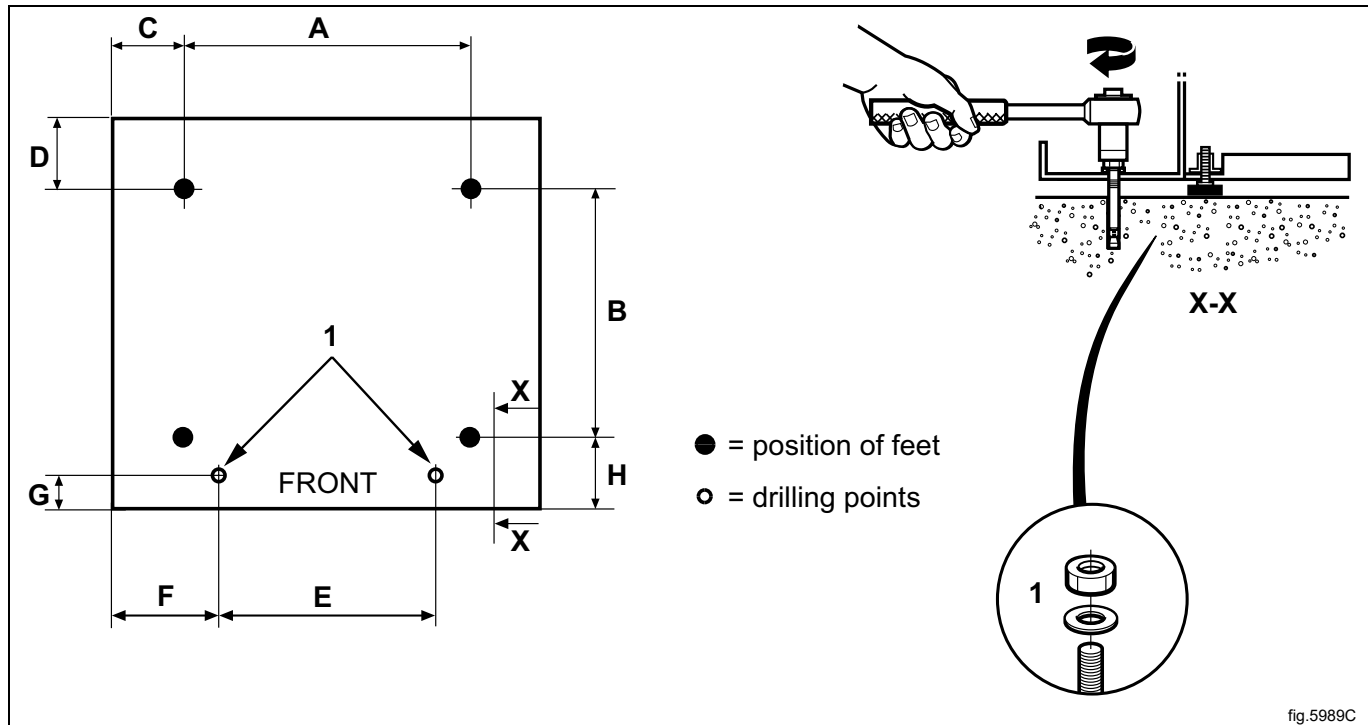
A	25 mm
B	500 mm

4.4 Mechanical installation

If the machine is not to be mounted on a base the machine must be fastened to the floor with the enclosed expansion bolts.

The table shows the correct position of feet and drilling points.

Mark and drill two holes (\varnothing 10 mm) about 50 mm deep in position (1).



	A	B	C	D	E	F	G	H
mm	635	490	135	175	515	195	65	125

Place the machine over the two drilled holes. The holes are at the front of the machine.

Level the machine with the feet of the machine. Screw in the feet as much as possible before starting to level the machine. This will make the machine stand steadier.

The maximum height adjustment of the feet is 50 mm.

Insert the expansion bolts (1) into the holes drilled in the floor. Fit the washers and nuts and tighten with tightening torque 5 Nm.



It is of the utmost importance that the machine is placed in level, from side to side as well as front to rear. Remount the panels when ready.

5 Water connection

All water intake connections to the machine should be fitted with manual shut-off valves and filters, to facilitate installation and servicing.

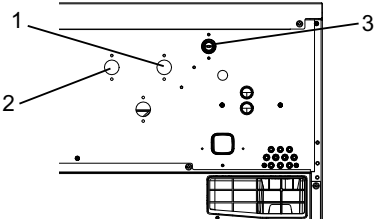
Water pipes and hoses should be flushed clean before installation.

The machine shall be connected with new water hoses. Re-used water hoses must not be used.

Hoses are to be of an approved type and grade and comply with IEC 61770 and any applicable local regulations.

After installation hoses must hang in gentle arcs.

All connectors present on the machine must be connected. The table shows the possible connection options, which will depend on the water types to be connected to the machine. Information is also available on the panel above the connections.

	Water type	Water connection
	<ul style="list-style-type: none"> • Cold and hot 	<ol style="list-style-type: none"> 1. Cold 2. Hot 3. Cold (for detergent dispenser) / Hot

EU countries: A double check valve compliant with EN 13959 and an inlet hose compliant with EN 61770 shall be installed for each inlet (A).

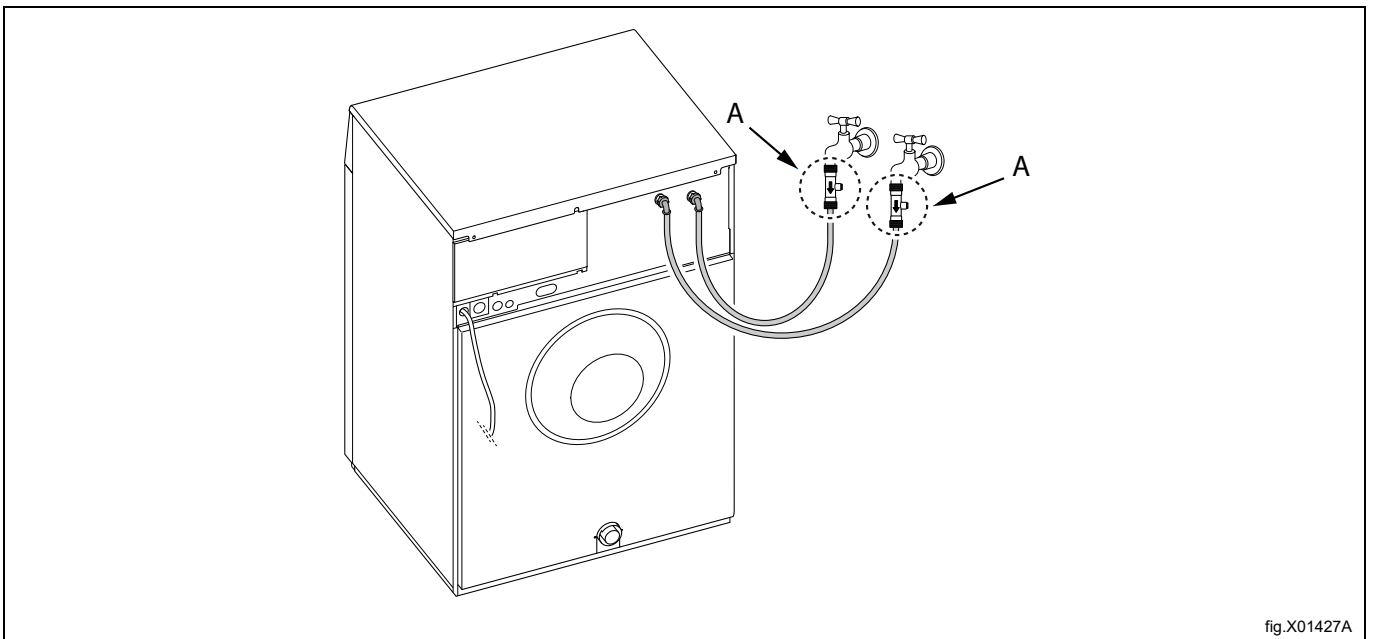


fig.X01427A

Remove the three plastic covers (A).

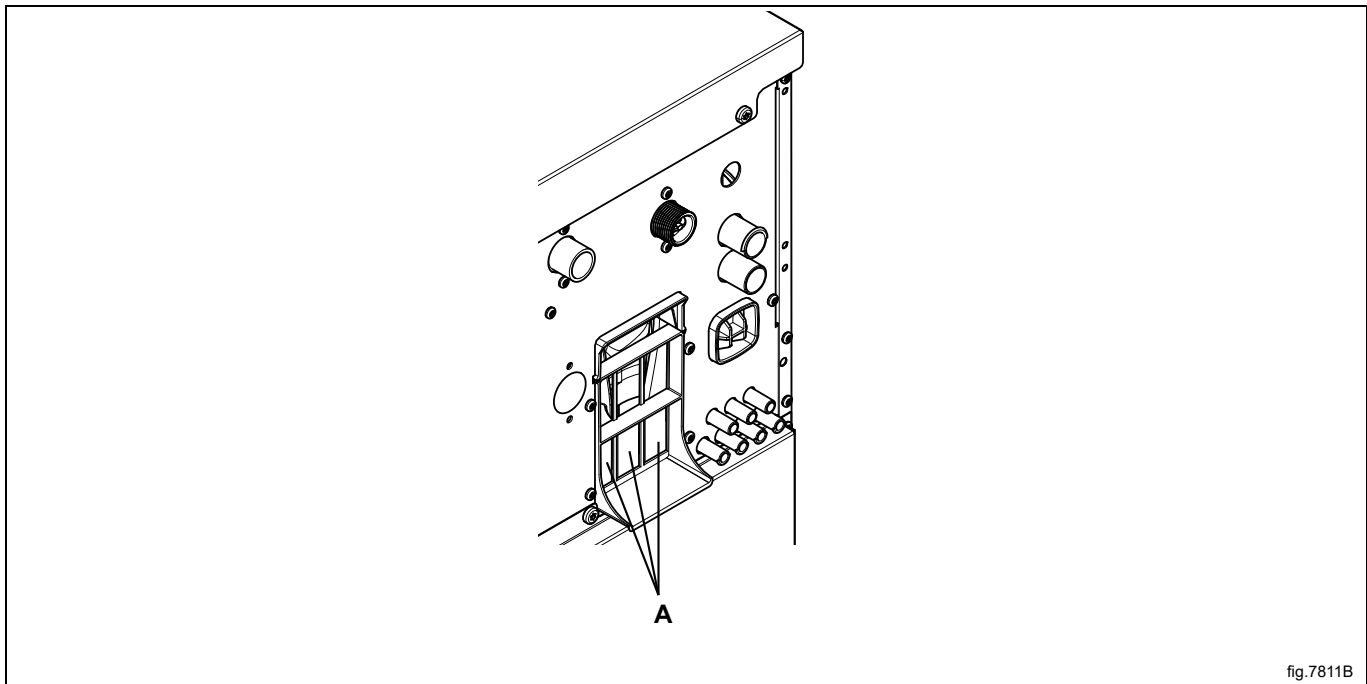


fig.7811B

Note!

For unheated machines with Lagoon Advanced Care programs, the programs requires pre heating (25°C) for the cold water valves.

Note!

The inlet temperature for cold water must not be higher than 25°C. If so, a water cooling system must be installed.

Water pressure:

Continuous operating pressure: 50–800 kPa (0.5-80 kp/cm²)

Maximum: 1000 kPa (10 kp/cm²)

Recommended: 200–600 kPa (2–6 kp/cm²)

Note!

If the water pressure is below the minimum value, the wash result can not be guaranteed for certain program.

For WRAS-approved machines; always check connection requirements on WRAS website.

For KIWA-approved machines; always check connection requirements on KIWA website.

For NSF-approved machines; always check connection requirements on NSF website.

Plumbing

This machine is approved for all UK applications as suitable for category 5.

The product is listed in the WRAS regulations advisory scheme directory and is suitable for direct connection to mains drinking water. No special plumbing arrangements e.g. break tanks are required.

Water Council approved double check valves should be fitted in between the stopcocks and the water inlet hoses.

FOR AUSTRALIA:

The appliance shall be installed in accordance with the Plumbing Code of Australia (the PCA).

The appliance need to be installed using dual check valves.

Contact details for after sales service: service.au@electroluxprofessional.com

6 Water hardness and dosage

Check the water hardness at your location and adjust the dosage according to the tables. The tables shows different dosage for different programs.

A water hardness kit is available at Part No. 0S0586.

WH6–14LAG with full lagoon load (10 kg)

Water hardness range			ppm	Water softener	W01 - Lagoon Sensitive Detergent	
°D	°F	°E			Program Wool High/Medium With weighing	
					Dosage ml/kg	Dosage ml/full load
0–5	0–9	0–6	0–90	Not required	8.3	83
5–10	9–18	6–12	90–180	Preferable	9.6	96
10–15	18–27	12–19	180–270	Recommended	11.7	117
> 15	> 27	> 19	> 270	Highly recommended	12.5	125

Water hardness range			ppm	Water softener	W02 - Lagoon Delicate Detergent			
°D	°F	°E			Program Synthetics- Mix Medium/Low, Curtains With weighing		Program Gentle 40 With weighing	
					Dosage ml/kg	Dosage ml/full load	Dosage ml/kg	Dosage ml/full load
0–5	0–9	0–6	0–90	Not required	8.3	83	6.0	60
5–10	9–18	6–12	90–180	Preferable	9.6	96	7.0	70
10–15	18–27	12–19	180–270	Recommended	11.7	117	8.0	80
> 15	> 27	> 19	> 270	Highly recommended	12.5	125	9.0	90

Water hardness range			ppm	Water softener	W03 - Lagoon Sensitive Conditioner			
°D	°F	°E			Program Wool High/Medium With weighing		Synthetics- Mix Medium/Low, Curtains, Gentle 40 With weighing	
					Dosage ml/kg	Dosage ml/full load	Dosage ml/kg	Dosage ml/full load
0–5	0–9	0–6	0–90	Not required	10.0	100	3.4	34
5–10	9–18	6–12	90–180	Preferable	11.5	115	3.8	38
10–15	18–27	12–19	180–270	Recommended	14.0	140	4.4	44
> 15	> 27	> 19	> 270	Highly recommended	15.0	150	5.4	54

7 Connection of external dosing systems

Depending on which type of dosing system that is going to be connected, follow the instructions enclosed with the dosing system.

The following is some preparations that can be made on the machine.

7.1 Jetsave and Dosave

7.1.1 Connection of the tube

The machine is prepared for connection to the dosing systems Jetsave and Dosave.

The connections are closed at delivery. Open any of the connections that shall be used by drilling a hole where the tube shall be connected.

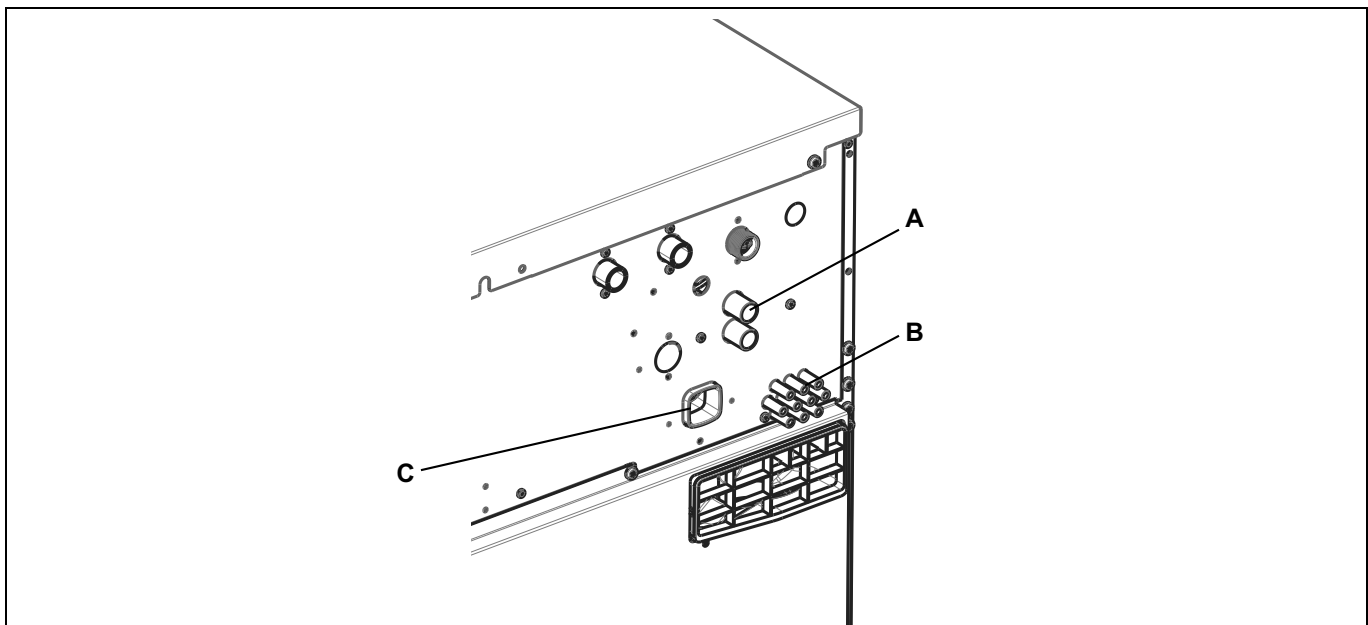
Note!

Make sure there is no burrs left after drilling. When removing burrs make sure burrs does not fall into the siphon breaker.

A = \varnothing 17 mm (used for dosing systems).

B = \varnothing 6 mm (used for dosing systems).

C = Only used for flush manifold. (Separate instructions enclosed when ordering).



Always connect hoses on connections (A) with a hose clamp.

For connections (B); if the hoses are made of a soft material such as silicone or similar, use a cable tie to fasten the hose on the connection. If the hoses are made of a hard material, it is not recommended to make the connection tighter by using a cable tie.

Note!

Equipment for external dosing must only be connected to work on pump pressure and not on network pressure.

8 Drain connection

Connect a 75 mm pipe or rubber hose to the machine's drain pipe, ensuring a downward flow from the machine. Avoid sharp bends which may prevent proper draining.

The machine may drain in to a drainage through or into a closed drain system. In either case, be sure to comply with all applicable national and local plumbing code provisions.

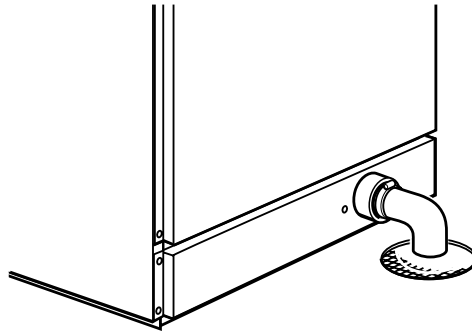


fig.5330

9 Electrical connection

9.1 Electrical installation



The electrical installation may only be carried out by qualified personnel.



Machines with frequency-controlled motors can be incompatible with certain types of earth leakage circuit breaker. It is important to know that the machines are designed to provide a high level of personal safety, which is why items of external equipment such as earth leakage circuit breakers are not necessary but is recommended. If you still want to connect your machine across an earth leakage circuit breaker, please remember the following:

- contact a skilled, authorised installation company to ensure that the appropriate type of breaker is chosen and that the dimensioning is correct
- for maximum reliability, connect only one machine per earth leakage circuit breaker
- it is important that the earth wire is properly connected.

In instances where the machine is not equipped with an omni-polar switch, one must be installed beforehand.

In accordance with the wiring rules: mount a multi-pole switch prior to the machine to facilitate installation and service operations.

The connecting cable shall hang in a gentle curve.

When connecting to a terminal block, the connection cable shell must be stripped 10-11 mm. The cable area must be at least 0.5 mm² and no more than 4 mm² (AWG12/AWG20). The terminal block used is a spring loaded cage clamp.

For AU/NZ: Fixed wiring is in accordance with AS/NZS 3000.

9.2 Electrical connections

Electrical connections					
Heating alternative	Main voltage	Hz	Heating power kW	Total power kW	Recommended fuse A
Electric heated	220-240V 1/1N~	50/60	4.8/13.0	5.2/13.4	25/63
	220-240V 3~	50/60	4.8/13.0	5.2/13.4	16/35
	380-415V 3N/3~	50/60	4.8/13.0	5.2/13.4	10/20
	440V 3~	50/60	13.0	13.4	20
	480V 3~	60	13.0	13.4	20
Non heated/Steam heated	208-240V 1/1N~	50/60	¹	1.2	10
	380-480V 1~ ²	50/60	¹	1.2	10

1. Total power and recommended fuse does not depend on the heating power in those cases.

2. Prepared for 3~

9.3 Machine connection with ferrite

To obtain approved level of EMC, it is mandatory to use the ferrite which is enclosed with above listed models. (Note that this is only valid for those models).

Before connecting to the machine, the protective earth (PE) wire shall be wrapped around the ferrite.

Prepare the power cord by making sure the protective earth (PE) wire is longer than the other wires according to the table.

Wire size	L	x times through
AWG14 or 2.5 mm ²	230 mm	x 4
AWG12 or 4 mm ²	250 mm	x 4
AWG10 or 6 mm ²	270 mm	x 4
AWG8 or 10 mm ²	290 mm	x 4
AWG6 or 16 mm ²	330 mm	x 4
AWG4 or 25 mm ²	490 mm	x 4

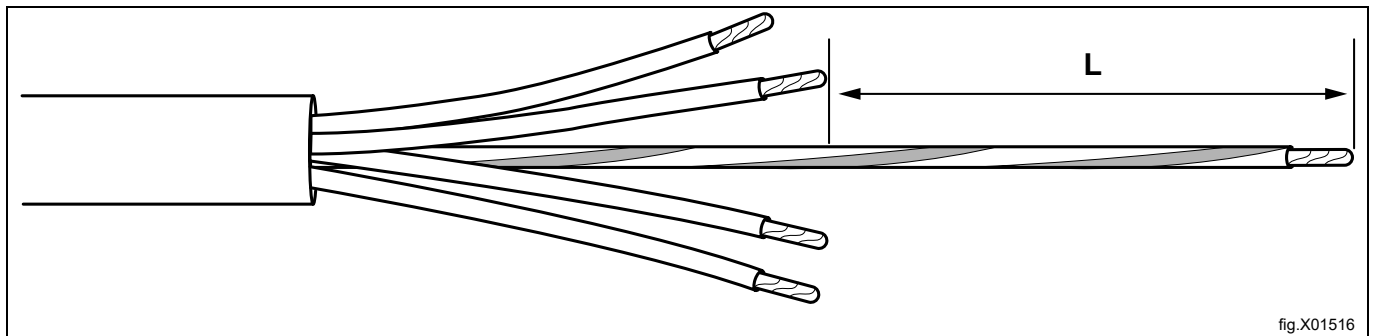


fig.X01516

When the power cord has been prepared according to the table, wrap the protective earth (PE) wire through the ferrite and then connect all wires according to the "Machine connection" section.

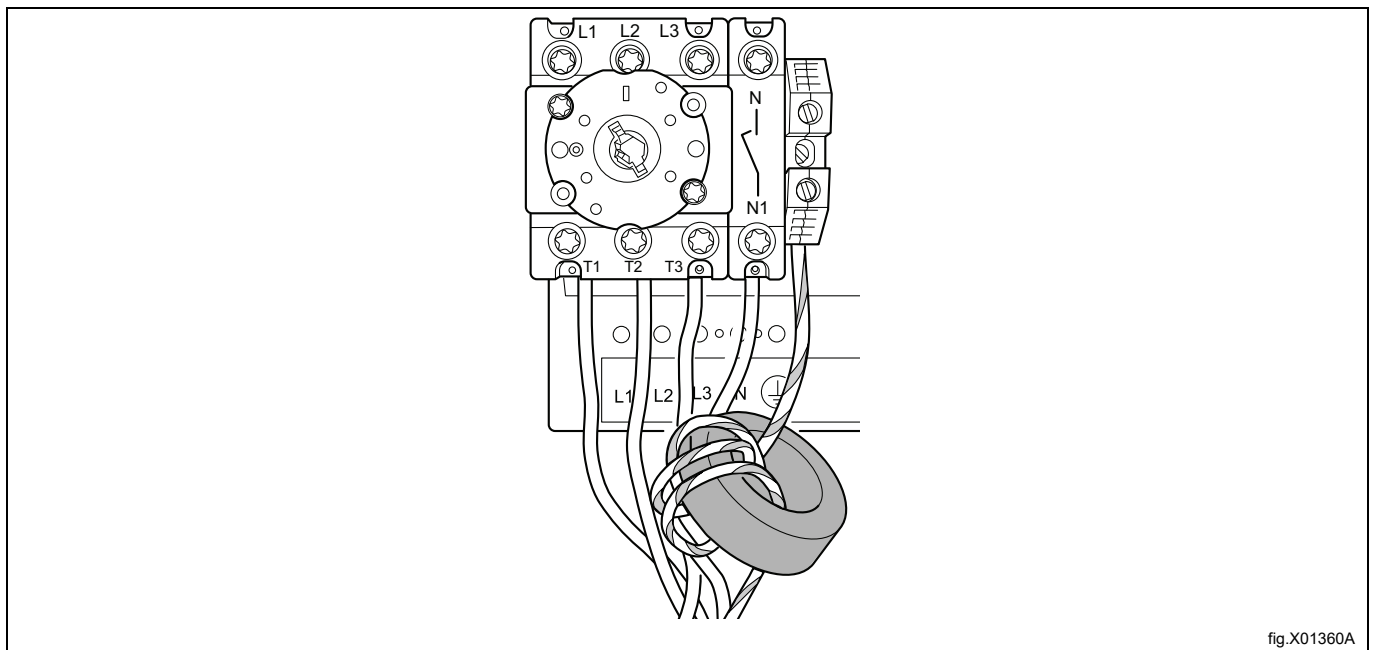
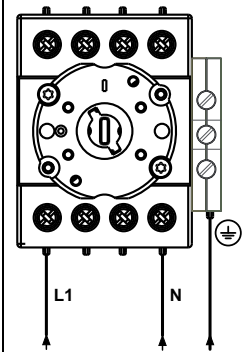
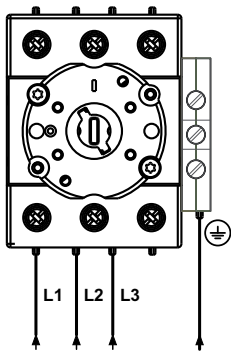
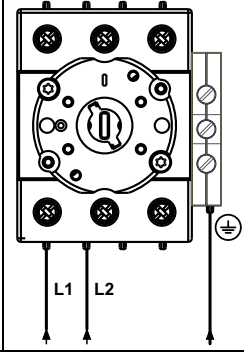
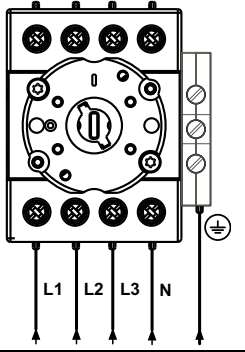
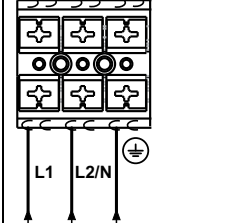
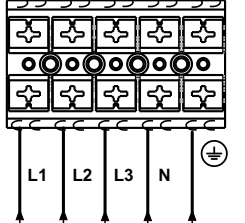


fig.X01360A

9.4 Machine connection

Connect the earth and other wires according to the table.

Single-phase connection		Three-phase connection	
1NAC		3AC	
1AC		3N AC	
1N/1		3N AC	

Single phase machines may be powered either by connection between a phase and neutral or by connecting between two phases.

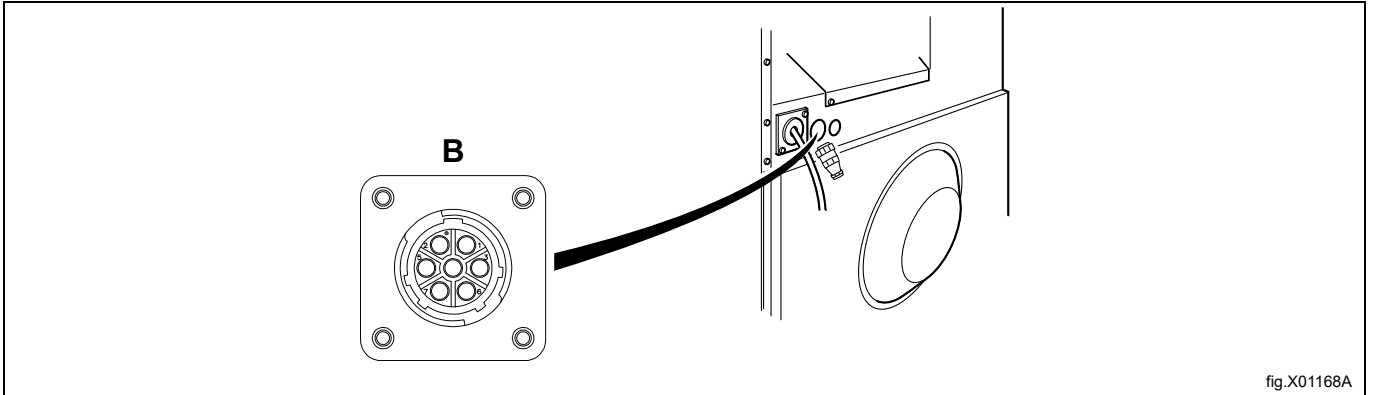
Example:

Machines for 220-240V single phase may be powered from 380V or 400V or 415V system by connection between a phase and neutral or from 220V or 230V or 240V system by connection between two phases.

9.5 Connector with termination resistor

If no external dosing systems shall be connected to the machine the enclosed connector with termination resistor must be connected at the rear of the machine.

- Connect the connector with termination resistor to connection B.

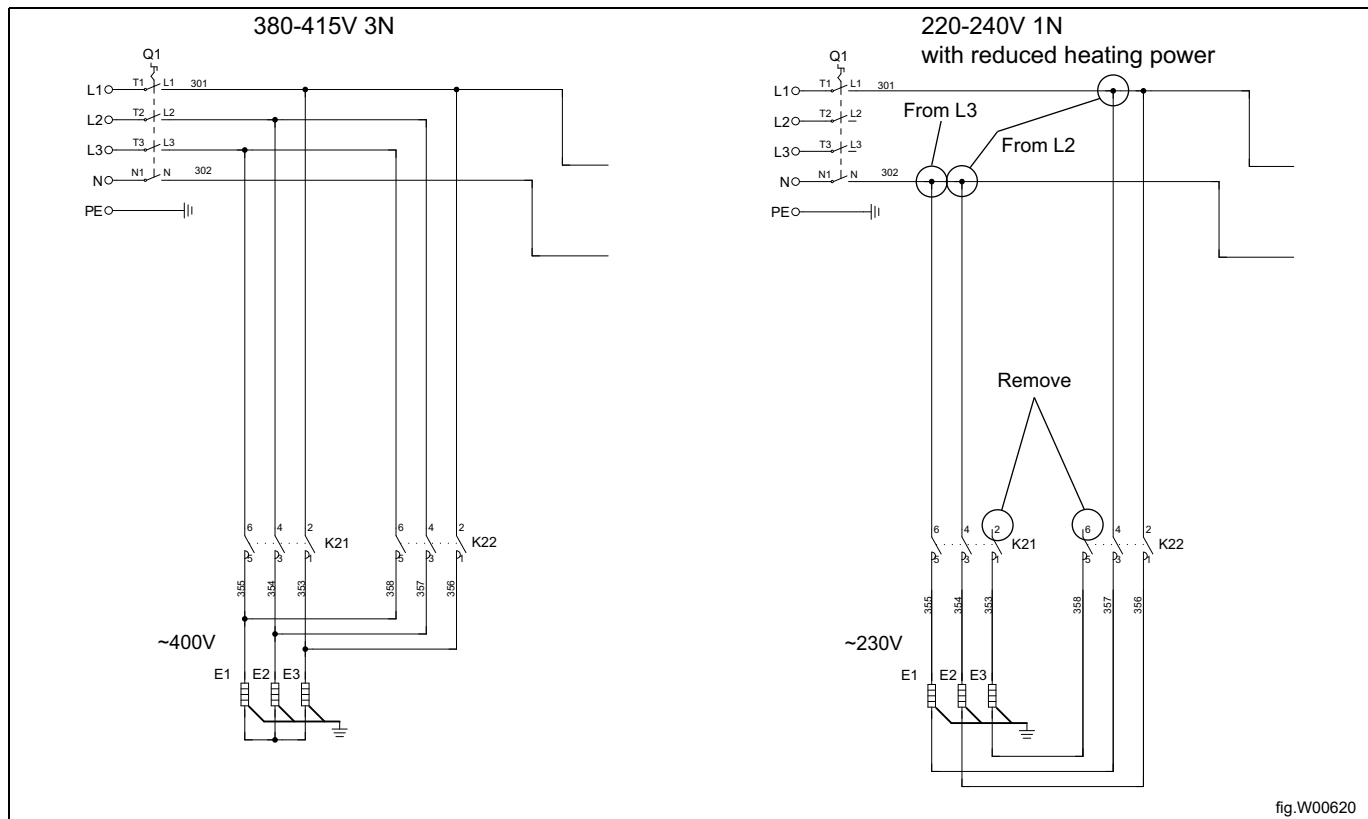


9.6 This model can be converted from 380-415V 3N AC to 220-240V 1N AC with reduced power

Disconnect the power to the machine.

Demount the cover panel to the electrical connections.

Remove the cables that are connected to K21:2 and K22:6. Move the remaining cables from L2 and L3 to L1 or N according to the figure.



Remount the cover panel to the electrical connections.

Connect the power to the machine.

Check that all terminals and wires are secure and test run the machine on a short program with 60°C to ensure that it does heat up.

10 Steam connection

Inlet pipes connected to the machine must be equipped with a manual shut-off valve to facilitate installation and servicing. The connection hose must be of type ISO/1307- 1983 or equivalent.

Connection size at filter: DN 15 (BSP 1/2").

Demount the top panel (A). Demount the casing (B).

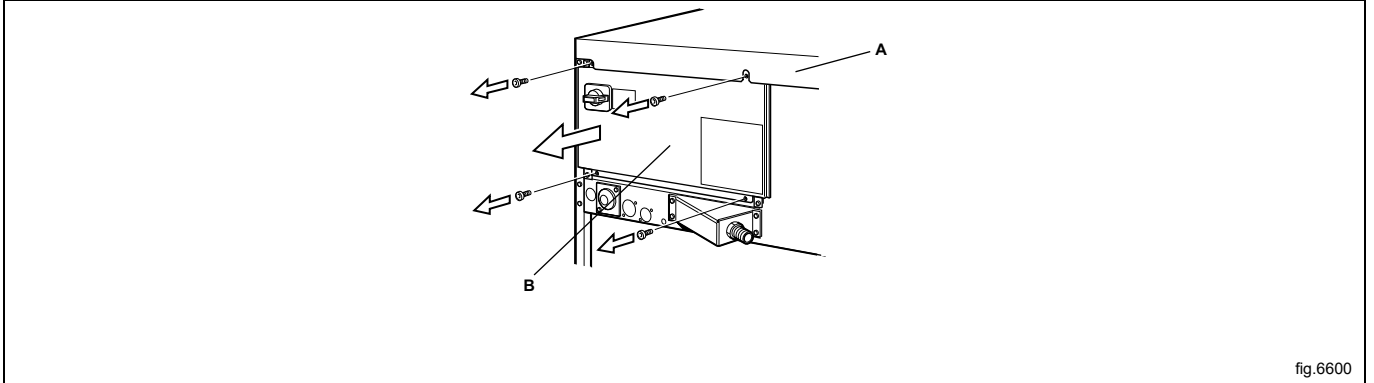


fig.6600

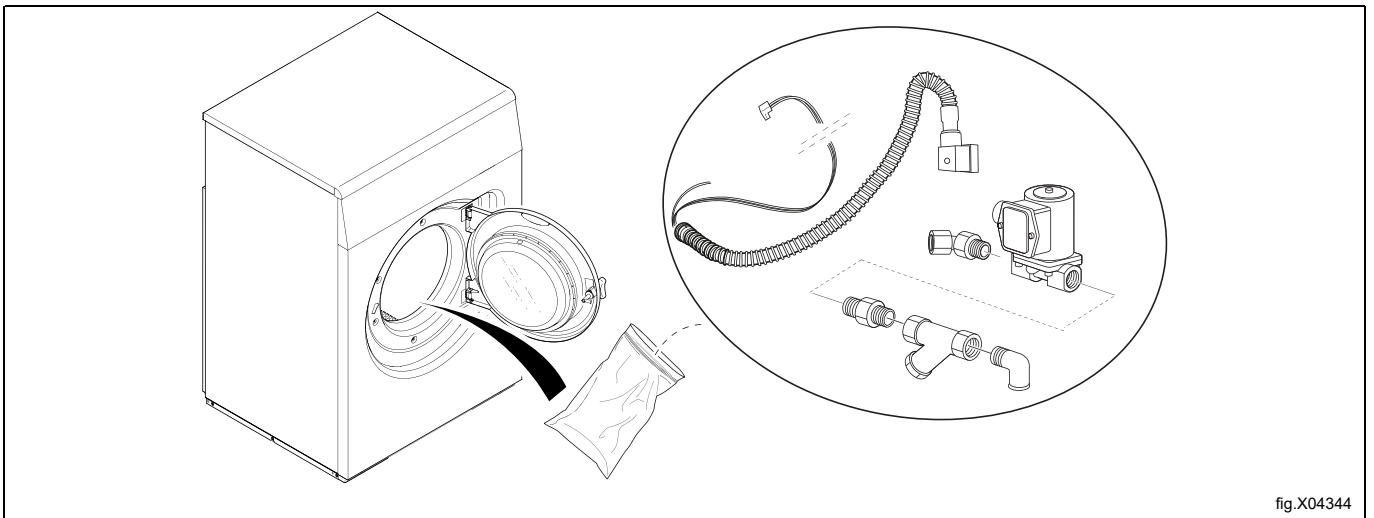


fig.X04344

Mount the nipple to the steam valve. Mount the steam valve on the machine. Mount nipple, strainer and elbow. Note the direction of the strainer. Mount steam hose to the elbow. Check that there are no sharp angles or bends on the connected steam hose.

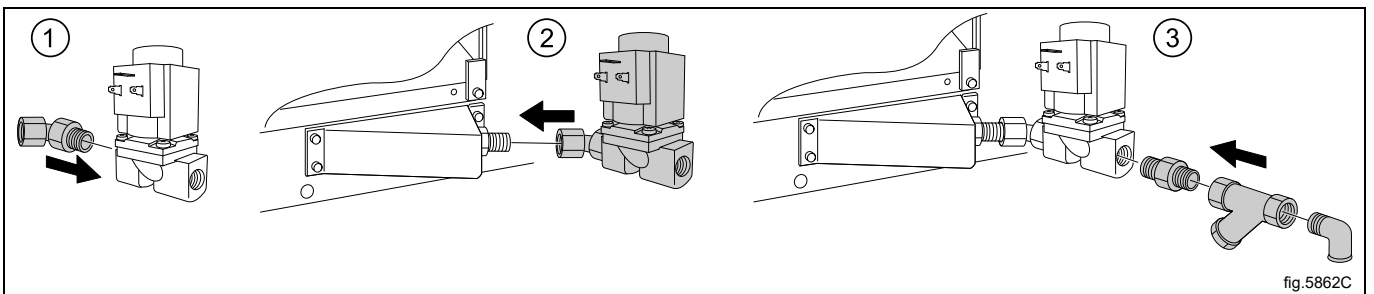


fig.5862C

Mount the hose with wires between steam valve and machine. Connect the wires to the steam valve. Connect ground cable to the terminal ground connection. Connect the "HEAT" cable connector to the "HEAT" terminal on the I/O board.

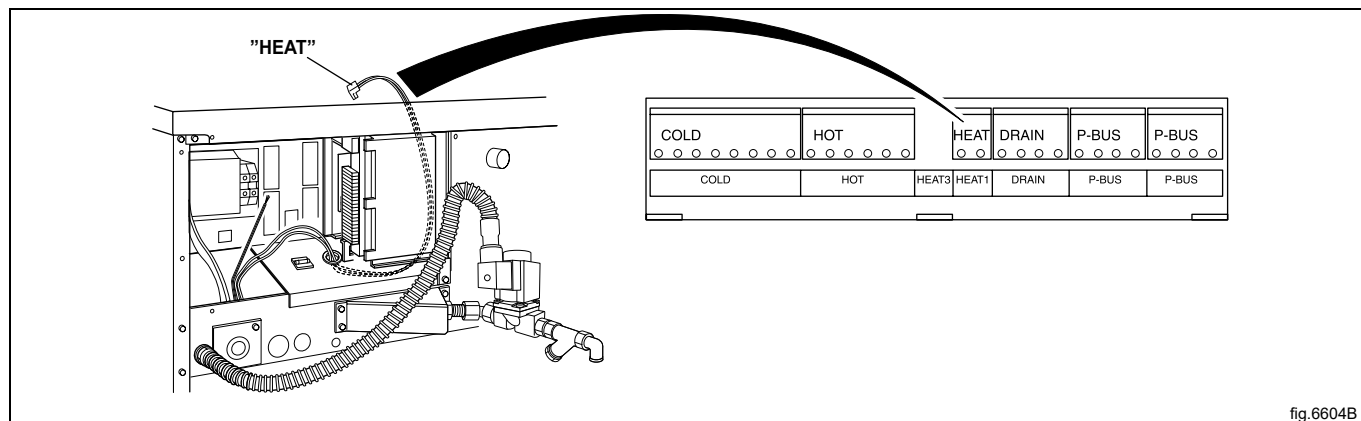


fig.6604B

Steam pressure required:

- minimum: 50 kPa (0.5 kp/cm²)
- maximum: 800 kPa (8 kp/cm²)
- recommended: 600 kPa (6 kp/cm²)

Note!

A steam heated machine is only intended to use clean steam.

11 At first power up

When the installation is complete and the power is connected for the first time you will be forced to make some settings. Follow the instructions on the display. When one setting is ready you will automatically enter the next one.

If installation is made in a public area, it is only allowed to select the below segments:

APARTMENT AUTO DOSING

APARTMENT MANUAL DOSING

APARTMENT BUILDING MATS

LAUNDROMAT/LAUNDERETTE

LAUNDROMAT/LAUNDERETTE WASCOMAT

LAUNDROMAT/LAUNDERETTE MENCH

CAMPING/MARINA

OTHER SELF SERVICE

12 Function check



May only be carried out by qualified personnel.



A function check must be made when the installation is finished and before the machine can be ready to be used.

Open the manual water valves.

Start a program.

- Check that the drum rotates normally and that there are no unusual noises.
- Check that there are no leaks in water supply/drain connections.
- Check that water passes through the detergent container.
- Check that the door cannot be opened during a program.

Ready to use

If all tests are OK the machine is now ready to be used.

If some of the tests failed, or deficiencies or errors are detected, please contact your local service organisation or dealer.

13 Disposal information

13.1 Appliance recyclability and disposal

13.1.1 Recyclability

Our appliances are manufactured using a significant percentage of recyclable metals (such as stainless steel, iron, aluminium, galvanized sheet, copper, etc.), which can be recovered through the local recycling systems, in compliance with the regulations in force in the country of use.

National regulations regarding waste disposal may vary. Disposal of the appliance must therefore be carried out in accordance with the applicable legislation and the directives issued by the competent authorities in the country where the appliance is decommissioned.

The components of the appliance must be separated and disposed of in accordance with their material composition (e.g. metals, oils, greases, plastics, rubber, refrigerant gases, insulating boards and other insulating material, glass wool, LEDs, etc.) and in full compliance with applicable local and international waste management regulations.

Compressors may contain oils and refrigerants fluids - are special waste and has to be recycled on local bases regulations.

13.1.2 Procedure regarding appliance disposal and component / material recovery

This product should not simply be disposed of in the environment at the end of its life cycle; it is imperative instead either to dispose of it in accordance with local environmental regulations, or, preferably, to deliver it whole to an authorized recycling center.

All removed components, including doors and other structural parts, must be delivered together with the appliance to an authorized recycling or dismantling facility.

The dismantling/recycling center will apply state of the art technologies and methods available to them to effectively disassemble the products for best recyclability.

Note that printed circuit boards, electrical motors or other components identified in European Union legislation to be of high critical raw materials recovery potential need to be addressed specifically.

In case of doubts or questions, always refer to your reference customer care service.

Before disposing of the appliance, carefully inspect its physical condition and preservation state, checking for potential leaks of liquids or gases, as well as for broken parts that may pose hazards during handling and subsequent dismantling.



The symbol on the product indicates that this product should not be treated as domestic waste, but must be correctly disposed of in order to prevent any negative consequences for the environment and human health. For further information on the recycling of this product, contact the local dealer or agent, the customer care service or the local body responsible for waste disposal.




Note!

When dismantling the appliance, any marking, this manual and other documents concerning the appliance must be destroyed.

13.2 Disposal of packing

The packing must be disposed of in compliance with the current regulations in the country where the appliance is used. All the packing materials are environmentally friendly.

They can be safely kept, recycled or burned in an appropriate waste incineration plant. Recyclable plastic parts are marked as following examples.

	Polyethylene: <ul style="list-style-type: none"> • Outer wrapping • Instructions bag
	Polypropylene: <ul style="list-style-type: none"> • Straps
	Polystyrene foam: <ul style="list-style-type: none"> • Corner protectors



Electrolux Professional AB
341 80 Ljungby, Sweden
www.electroluxprofessional.com